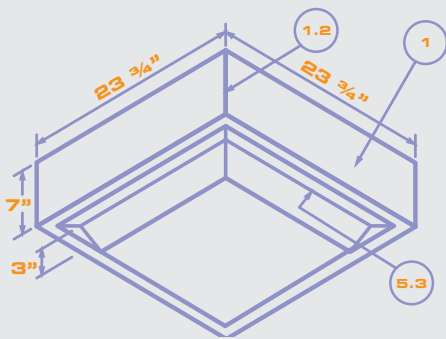


AREA LIGHTING



STOCKTON

GENERAL SPECIFICATIONS

1. Light Fixture Housing:

1. 0.064 thick aluminum housing
2. All exposed joints fused for moisture proofing

2. Ballast Tray:

1. 0.064 thick aluminum plate
2. Easily replaceable for upgrade & maintenance
3. Complete with ballast, ground wire and mogul socket base
4. ballast secured to tray with galvanized steel bracket
5. Tray secured with screw fasteners
6. Removable and interchangeable with other ballast types
7. Ballasts come factory wired in the fixture to your specific needs

4. Reflectors:

1. 0.020 ga Bright highly reflective aluminum sheet
2. 100% coverage of fixture housing internally
3. Custom stainless steel ELSCO thumb screw - no need for tools for re-lamping and maintenance

5. Lens Frame Assembly:

1. aluminum extrusion - exclusive to ElSCO
2. hinge: stainless steel piano hinge
3. closure: zinc plated steel thumb screw

6. Lens:

1. High impact resistant Acrylic and Poly carbonate lenses
2. Drop dished for ideal illumination
3. Prismatic glass available for car wash applications

7. Weather Stripping:

1. 1/8 x 3/8 white expanded (closed cell) polyethylene on underside of lens in frame and between housing and underside of lens frame

8. Housing Finish:

1. All aluminum housing and components powder coated for long lasting durability

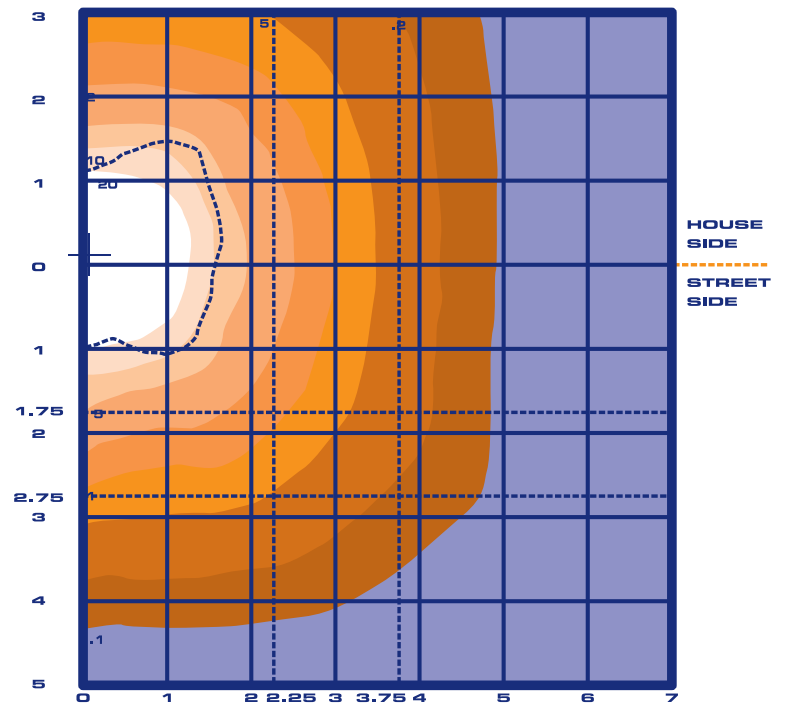
TYPICAL APPLICATION

The Stockton luminaires are our standard pole mounting fixture. This fixture is ideally suited as an area light for smaller areas. The type "V" lighting distribution that this fixture offers is ideal for covering a smaller area with less light spillage where you don't want the light to go. This fixture comes in a variety of colors to suit your needs.





ISOFOOTCANDLE LINES OF HORIZONTAL ILLUMINANCE



DISTANCE IN UNITS OF MOUNTING HEIGHT
VALUES BASED ON 10FT. MOUNTING HEIGHT

PERFORMANCE DATA

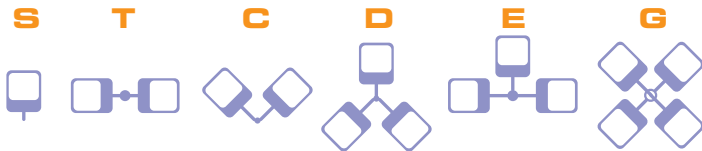
PHOTOMETRIC FILENAME: 30934.ies CARMEL-2-250W-MHPS

ELSCO OUTDOOR HID LUMINAIRE CAT. NO. STO -400MHPS WITH SPECULAR REFLECTOR AND PRISMATIC DROP DISH LENS
ONE 400W CLEAR METAL HALIDE PULSE START LAMP. LUMEN RATING = 44000 LMS.

Characteristics

IES Classification	Type II
Longitudinal Classification	Very Short
Cutoff Classification (deprecated)	Cutoff
Lumens Per Lamp	44000 (1 lamp)
Total Lamp Lumens	44000
Luminaire Lumens	33903
Total Luminaire Efficiency	77 %
Downward Total Efficiency	77 %
Upward Waste Light Ratio	N.A.
Max. Cd.	12373.625 (135H, 7.5V)
Max. Cd. (<90 Vert.)	12373.625 (135H, 7.5V)
Max. Cd. (At 90 Deg. Vert.)	423.5 (1.0%Lamp)
Max. Cd. (80 to <90 Deg. Vert.)	1871.375 (4.3%Lamp)
Total Luminaire Watts	1
Ballast Factor	1.00

POLE CONFIGURATION



ORDERING INFORMATION

To simplify ordering accuracy, choose one from each category.

Category	FIXTURE SERIES	WATTAGE	BALLAST	LENS	VOLTAGE	COLOUR	POLE & ARM ASSEMBLY	
	STO	Up to 400 Watt Inclusive	<input type="checkbox"/> HPS High Pressure Sodium <input type="checkbox"/> MH Metal Halide <input type="checkbox"/> MHPS Metal Halide Pulse Start	<input type="checkbox"/> DP Drop Panel Lens <input type="checkbox"/> VR Vandal Resistant Drop Panel <input type="checkbox"/> G Flat Prismatic Glass	<input type="checkbox"/> 120 <input type="checkbox"/> 208 <input type="checkbox"/> 240 <input type="checkbox"/> 277 <input type="checkbox"/> 347	<input type="checkbox"/> BL Black <input type="checkbox"/> BZ Bronze <input type="checkbox"/> W White <input type="checkbox"/> P-13-ESSO Grey <input type="checkbox"/> BLU Husky Blue <input type="checkbox"/> CHV Chevron Grey	POLE HEIGHT	ARM
ORDERING EXAMPLE CODE	STO	250	MHPS	DP	208	BL	18	T